



Description

The **PPS-03** preamplifier power supply is designed for supplying VIGO System IR Detection Modules included uncooled IR detectors.

Features

- Dedicated for supplying uncooled detectors
- Very small size
- Low cost

Preamplifier Power Supply Specification

Parameter	Unit	Value	Conditions, Remarks
Power Supply Voltage V_{sup}	V AC	100 to 240	50 to 60 Hz
Output Voltage	V DC	± 15 ± 9 +12, -5	
Output Current	mA	± 100	
Dimensions	mm×mm×mm	55×24.2×54	width×height×depth
Weight	g	100	

Electrical characteristics @ $T_a = 20\text{ }^\circ\text{C}$

Preamplifier Power Supply Code Description

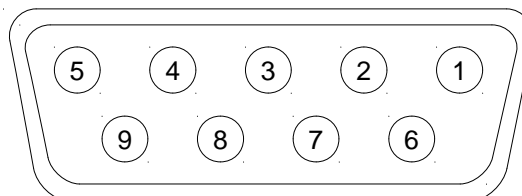
PPS-03-P1

- P1** – power supply:
 09 – power supply $\pm 9\text{ V}$
 15 – power supply $\pm 15\text{ V}$
 G1 – combined power supply (+12 V, -5 V) for FIP preamplifier
- PPS-03** – preamplifier power supply series
 P – Preamplifier, P – Power, S – Supply, ver 03

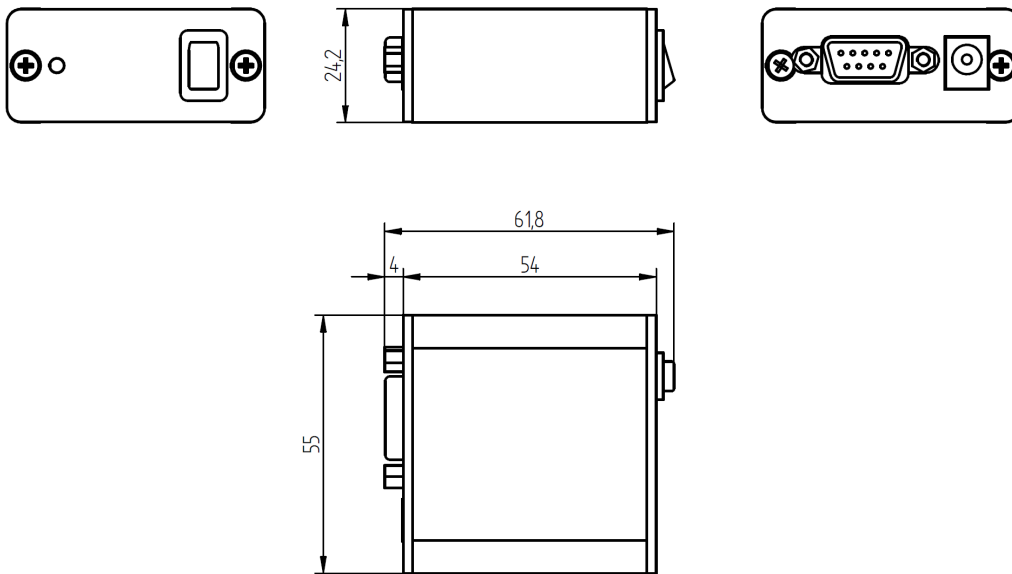
Power Supply Connector

Pin Number	Symbol	Function
1	N.C.	not connected
2	N.C.	not connected
3	GND	power ground
4	N.C.	not connected
5	N.C.	not connected
6	$-V_{sup}$	power supply output (-)
7	N.C.	not connected
8	N.C.	not connected
9	$+V_{sup}$	power supply output (+)





DB9 Connector Female



Physical Dimensions [mm]



Recommended Accessories

AC Adaptor	LEMO-DB9	AMP2x4-DB9	DB9-DB9
			
Power Supply Adaptor	Supply Cable	Supply Cable	Supply Cable