



Example Assembling

## Description

**MP** is a mounting post made of stainless steel. It is equipped with two thread adapters TA-4-6 as a standard.

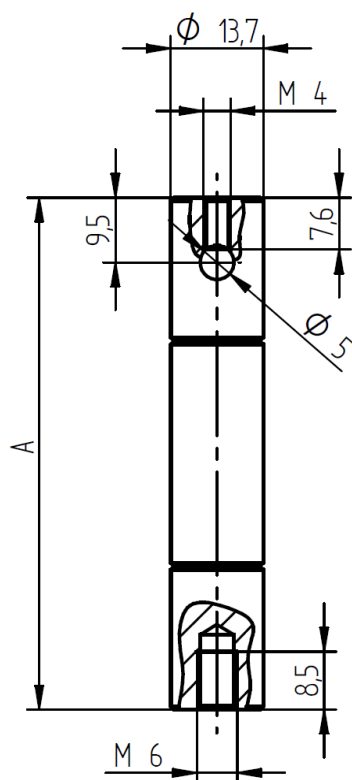
MP-50, MP-75 and MP-100 models are available.

## Specification

| Model  | Weight [g] | Dimension A [mm] |
|--------|------------|------------------|
| MP-50  | 55         | 50               |
| MP-75  | 85         | 75               |
| MP-100 | 115        | 100              |

## Physical Dimensions [mm]

Mounting Post



Thread Adapter M4-M6 (TA-4-6)

